



# POLEKS MAKİNA SAN.VE TİC.AŞ

2.Organize San. Bol. Yaylacik Cad. Işiktepe Sk. No:21  
Konya / TURKEY

www.poleks.com.tr poleks@poleks.com.tr  
Tel: +90 332 239 00 11 Fax: +90 332 239 02 59





## POLEKS MAKİNA SAN. VE TİC.AŞ.

2.Organize San. Bol. Yaylacik Cad. İşiktepe Sk. No:21 Konya / TURKEY

[www.poleks.com.tr](http://www.poleks.com.tr) [poleks@poleks.com.tr](mailto:poleks@poleks.com.tr)

Tel: +90 332 239 00 11 Fax: +90 332 239 02 59

- Cost iron transmission
- Boring spindle has speed adjustable system, and it can work any required speed.
- Boring spindle has automatic feed system.
- The machine has movable remote control panel to operate the machine.
- Transmission has up-down and reciprocation movement.





## POLEKS MAKİNA SAN. VE TİC.AŞ.

2.Organize San. Bol. Yaylacik Cad. İşiktepe Sk. No:21 Konya / TURKEY

www.poleks.com.tr poleks@poleks.com.tr

Tel: +90 332 239 00 11 Fax: +90 332 239 02 59

### Technical Specifications

### AB 2500

Max. Length of block	Mm	2500
Boring capacity	Mm	32 - 100
Max. Distance between top of bed to boring bar center	Mm	450
Min. Distance between top of bed to boring bar center	Mm	800
Spindle feed speed	Rpm/min	50 - 600
Max. Spindle travel	Mm	800 + 200
Spindle feed speed	Mm/Rpm	0 - 0.25
Motor power	Kw	1.5
Electric system	V	380 - 24
Work length of machine	Mm	5750
Length of machine	Mm	5750
Width of machine	Mm	800
Height of machine	Mm	1800
Weight of machine	Kg	2250







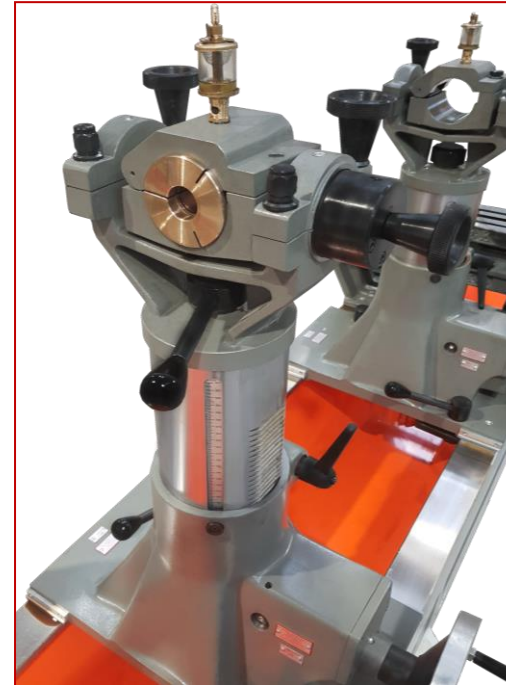
## POLEKS MAKİNA SAN. VE TİC.AŞ.

2.Organize San. Bol. Yaylacik Cad. İşiktepe Sk. No:21 Konya / TURKEY

[www.poleks.com.tr](http://www.poleks.com.tr) [poleks@poleks.com.tr](mailto:poleks@poleks.com.tr)

Tel: +90 332 239 00 11 Fax: +90 332 239 02 59

Serial No	Standard   Extra Equipments	AB 2500
06100	Joint	1
06101	Clamping engine blocks	4
06102	Hard chromized boring shaft (bar)	2
06103	Parallel supports 100 mm	2
06104	Parallel supports 200 mm	2
06105	Central rest for boringbar complete with arm and clamps	1
06106	Centering device	2
06107	Quick centering pivot conics	2
06108	Feed adjusting apparatus	1
06109	Internal measuring device	Extra
06110	Pivot thimble	Extra



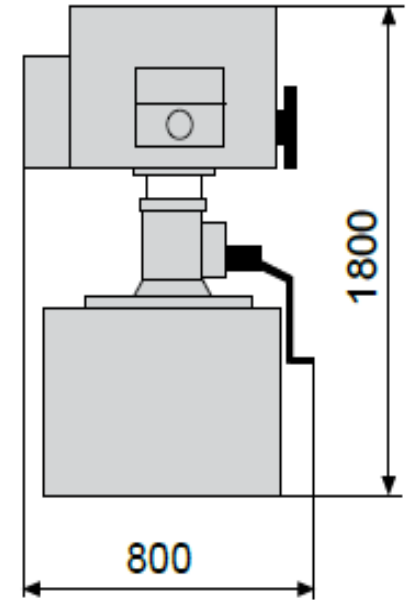
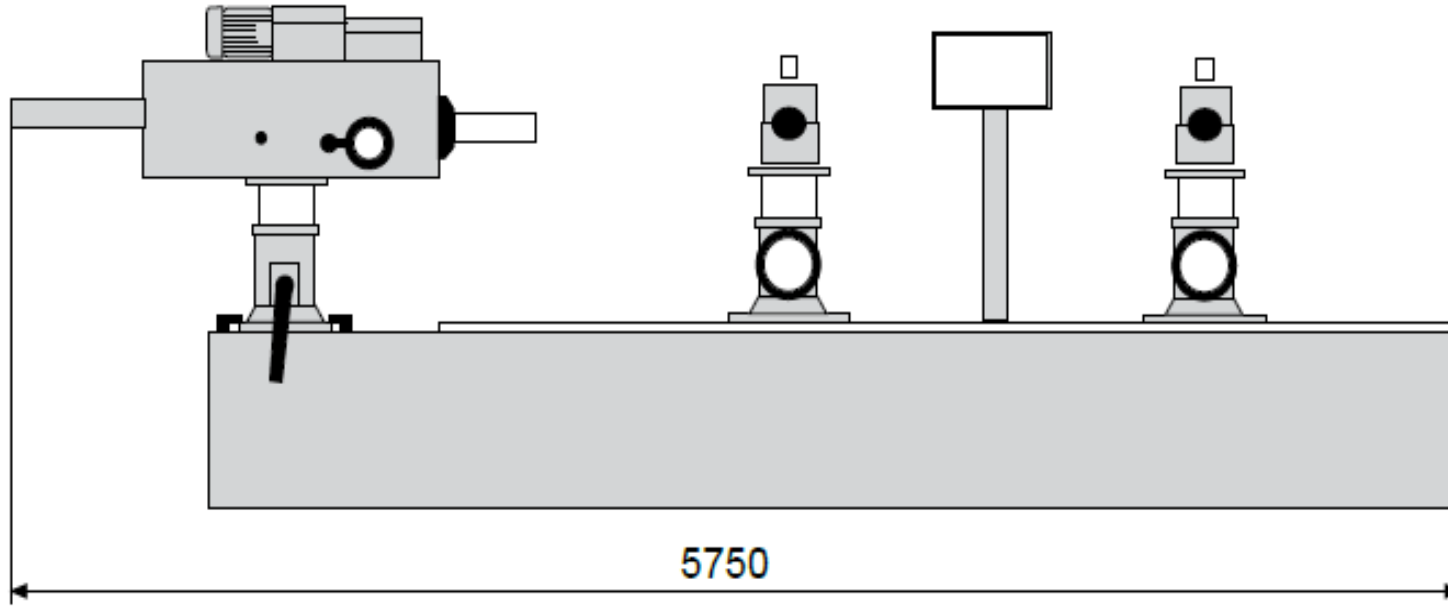


**POLEKS MAKİNA SAN. VE TİC.AŞ.**

2.Organize San. Bol. Yaylacik Cad. İşiktepe Sk. No:21 Konya / TURKEY

www.poleks.com.tr poleks@poleks.com.tr

Tel: +90 332 239 00 11 Fax: +90 332 239 02 59



GTİP No: 8459.29.00.00.19