

POLEKS MAKİNA SAN.TİC.A.Ş

2.Organize Sanayi Bölgesi Yaylacık Cd.Işıktepe Sk.No:21  
KONYA-TÜRKİYE

+90 332 239 00 11 / +90 555 050 3533

[www.poleks.com.tr](http://www.poleks.com.tr) / [sales@poleks.com.tr](mailto:sales@poleks.com.tr)

[www.poleks.com.tr](http://www.poleks.com.tr)



**KBP 750**

**CON-ROD  
BORING MACHINE**

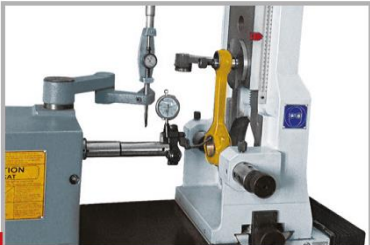


- Cast iron body base
- Touch Screen (LCD) control panel(only available for KBP 750-NC)
- Electronic adjustable work speeds and traverse speed
- Universal table feed ( by adjusting work capacity by limitation switches, the feed can be performed automatically)
- Electronic table limit switch
- Easy and preactical change of the connecting rod holding fixtures.
- Connecting rod tighten system with longitudinal and traverse.
- Control panel has the shown of amper meter and cycle metre.
- Work lighting lamb
- Electric panel inside lighting lamp

**Note: Standard machine electronic control panel with buttons.  
Touch screen control panel is the optional features and machine model is KBP 750-NC)**



Elektronik tabla limit siviçi  
*Electronic table limit switch*



Mikrometre tutma kolları  
*Micrometer holder arms*



Yükseklik mesafe cetveli  
*Height measurement indicator*



Pratik kullanım iş sıkma kolları  
*Pratic use work holder arms*



Kontrol paneli ve iş aydınlatma lambası  
*Control panel and work lighting lamp*

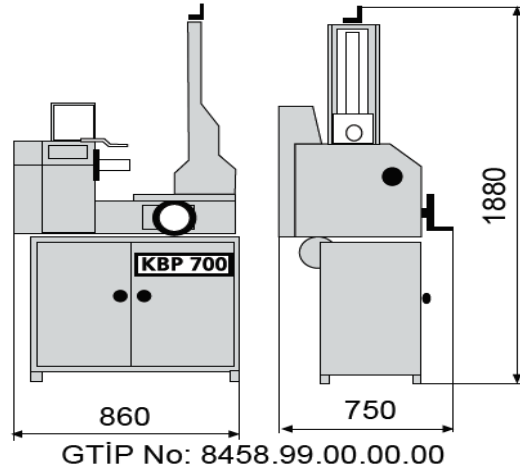


# POLEKS MAKİNA SAN. VE TİC.AŞ.

2.Organize San. Bol. Yaylacik Cad. İşiktepe Sk. No:21 Konya / TURKEY

www.poleks.com.tr poleks@poleks.com.tr

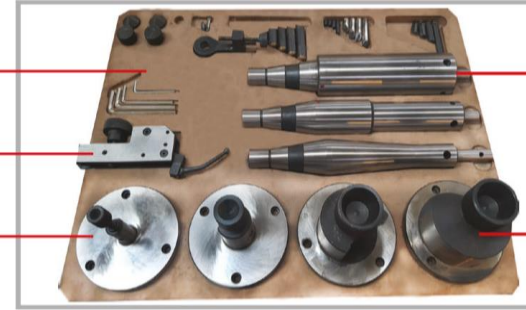
Tel: +90 332 239 00 11 Fax: +90 332 239 02 59



07107

07103

07100



07101

07100



07100



07100



07100



|  | Specifications               | Unit | KBP 750  |
|--|------------------------------|------|----------|
| <b>Makine Kapasitesi</b><br>Machine Capacity | Max.Boring diameter          | mm   | 150      |
|  | Min.Boring diameter          | mm   | 15       |
|  | Max. Con-rod center distance | mm   | 650      |
|  | Min.Con-rod center distance  | mm   | 40       |
|  | Table longitudinal travel    | mm   | 390      |
|  | Table cross travel           | mm   | 35       |
|  | Spindle speed                | rpm  | 0 - 1400 |
| <b>Motor</b>                                 | Automatic feed stage         | m/dk | 0 / 220  |
|  | Traverse motor               | kw   | 0.75     |
| <b>Elektrik/Electric</b>                     | Main motor                   | kw   | 1.7      |
|  | Electric system              | V    | 380 - 24 |
| <b>Ebatlar</b><br>Dimansions                 | Work length of machine       | mm   | 900      |
|  | Length of machine            | mm   | 1290     |
|  | Width of machine             | mm   | 750      |
|  | Height of machine            | mm   | 1960     |
|  | Weight of machine            | kg   | 600      |

|       | Standard   Extra Equipments               | ST | EX    |
|-------|---|----|-------|
| 07100 | Fixtures Ø20-Ø150 mm between              | 4  |       |
| 07101 | Boring Spindles                           | 3  |       |
| 07102 | Centering Apparatus                       | 1  |       |
| 07103 | Feed adjusting Apparatus                  | 1  |       |
| 07104 | Chip breakers(cutters) Ø20-Ø150mm between | 4  |       |
| 07105 | Side fixtures                             | 2  |       |
| 07106 | Manual operating book                     | 1  |       |
| 07107 | Allen wrench 4-5-6-10                     | 4  |       |
| 07108 | Equipment box                             | 1  |       |
| 07109 | Measurement Device(Micrometer)            |    | Extra |